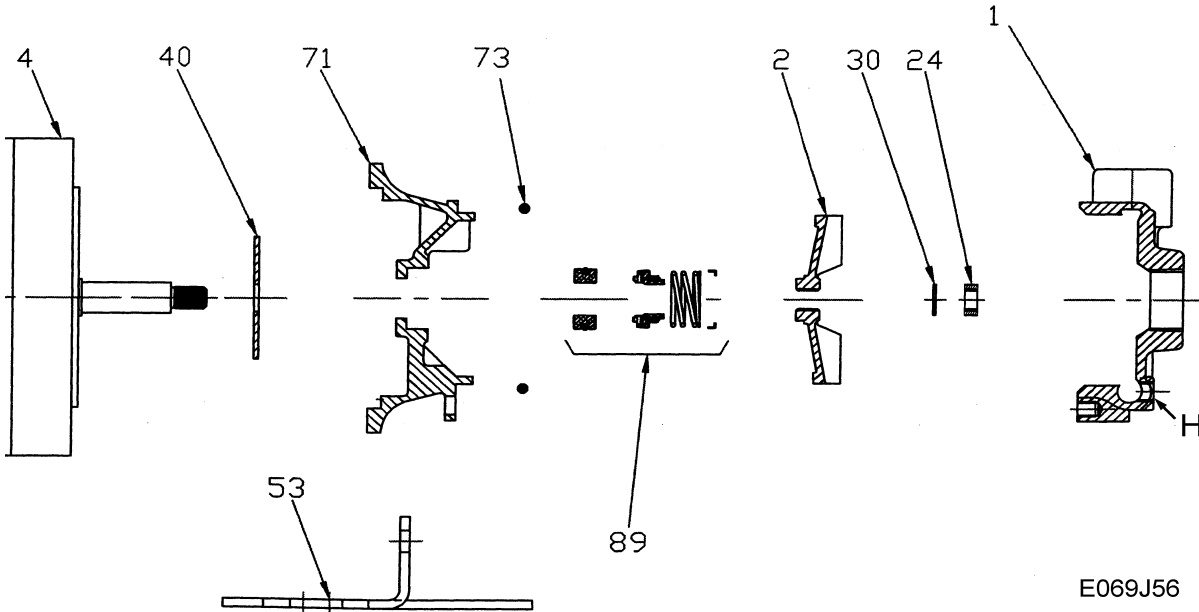




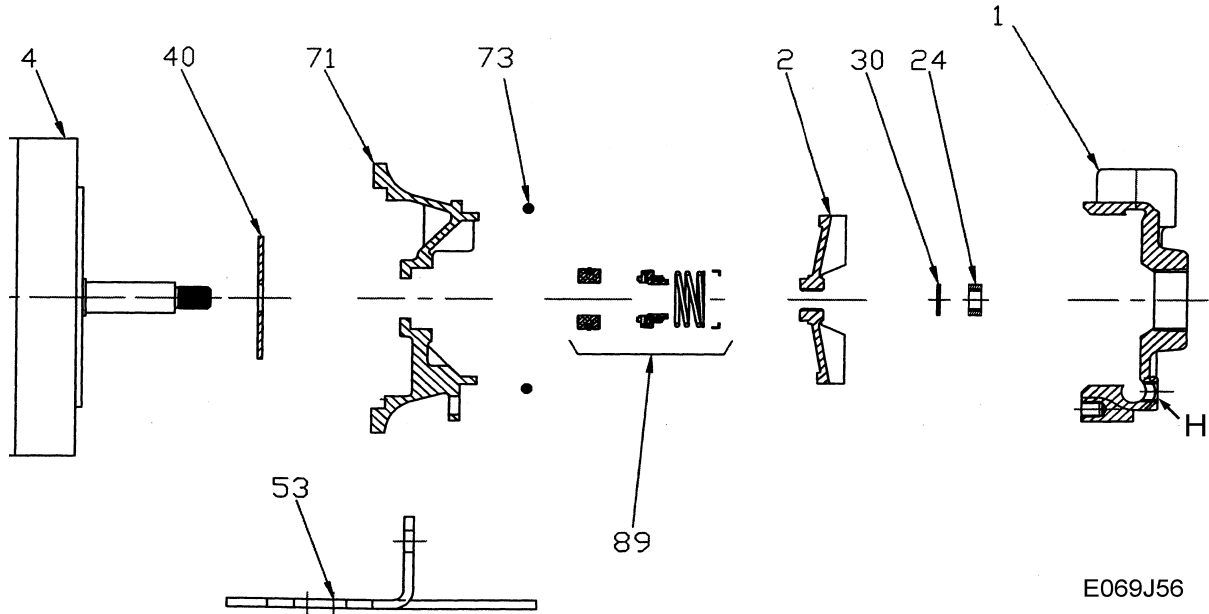
# Pump 69 • Iron • J56 Frame • 3500 RPM



KEY NO.	PART NAME	PUMP 69	
1	CASE, IRON, 1 x .75 NPT	130.000.283AX	
2	IMPELLER, 7/16" THREADED, SEMI-OPEN, SPECIFY DIAMETER:		
	IRON	137.000.143	
	BRONZE	137.000.138	
4	MOTOR:		
	J56, ROUND BODY J56, 3.5" RIGID BASE	See Chart See Chart	
24*+	NUT, STAINLESS	137.001.349	
30*+	D WASHER, STAINLESS	104.000.168	
40*	FLINGER, NEOPRENE	104.000.171	
53	BASE, STEEL	119.000.287A	
71	ADAPTER, IRON	132.000.298	
73*	GASKET, CASE, BUNA	116.000.153	
89*	5/8" SEALS:		
	NO RETAINER: (not shown)		
	TYPE 6, BN-CARB/CM	101.000.110	
	WITH RETAINER:		
	TYPE 21, VN-CARB/CM	101.000.103	
	TYPE 21, VN-CARB/SIL	101.000.120	
	TYPE 21, VN-SIL/SIL	101.000.239	
TYPE 21, EPDM-CARB/CM	101.000.327		
TYPE 21, EPDM-CARB/SIL	101.000.173		
TYPE 21, EPDM-SIL/SIL	101.000.236		
--	REPAIR KITS:		
		3 PHASE:	1 PHASE:
	BN-CARB/CM SEAL	118.000.389	118.000.389.1
	VN-CARB/CM SEAL	118.000.389A	118.000.389A.1
	VN-CARB/SIL SEAL	118.000.389B	118.000.389B.1
	VN-SIL/SIL SEAL	118.000.389E	118.000.389E.1
	EPDM-CARB/CM SEAL	118.000.389F	118.000.389F.1
EPDM-CARB/SIL SEAL	118.000.389C	118.000.389C.1	
EPDM-SIL/SIL SEAL	118.000.389D	118.000.389D.1	

\* DENOTES COMPONENTS INCLUDED IN REPAIR KIT.  
 + NOT REQUIRED ON 1/3 TO 1-1/2 HP 1 PHASE MOTORS.

**Pump 69 • J56 Frame • 3500 RPM**



E069J56

**CONSTRUCTION OPTIONS**

KEY	PART NAME	STANDARD FITTED	BRONZE FITTED	ALL IRON
1	Case	Iron	Iron	Iron
2	Impeller	Iron	Bronze	Iron
24	Impeller Locknut	Stainless	Stainless	Stainless
30	D-Washer	Stainless	Stainless	Stainless
40	Flinger	Neoprene	Neoprene	Neoprene
53	Base	Steel	Steel	Steel
71	Adapter	Iron	Iron	Iron
73	Gasket, Case	Buna	Buna	Buna
89	Mechanical Seal, Type 6, BN-CM	Standard	Standard	Standard
H	Plug, Drain	Brass	Brass	Plated

H6

C0683500J56