



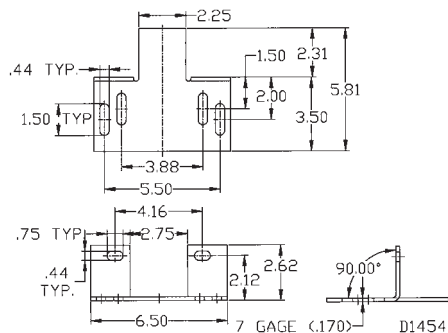
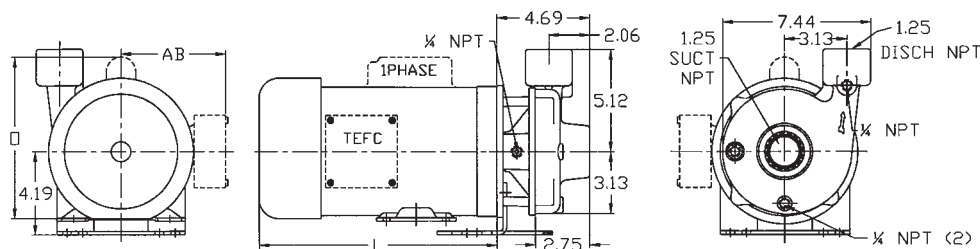
# MOTORPUMP™ — 3500 RPM

60 HERTZ, 1.25 X 1.25 X 5.63 NPT

**126**  
J56

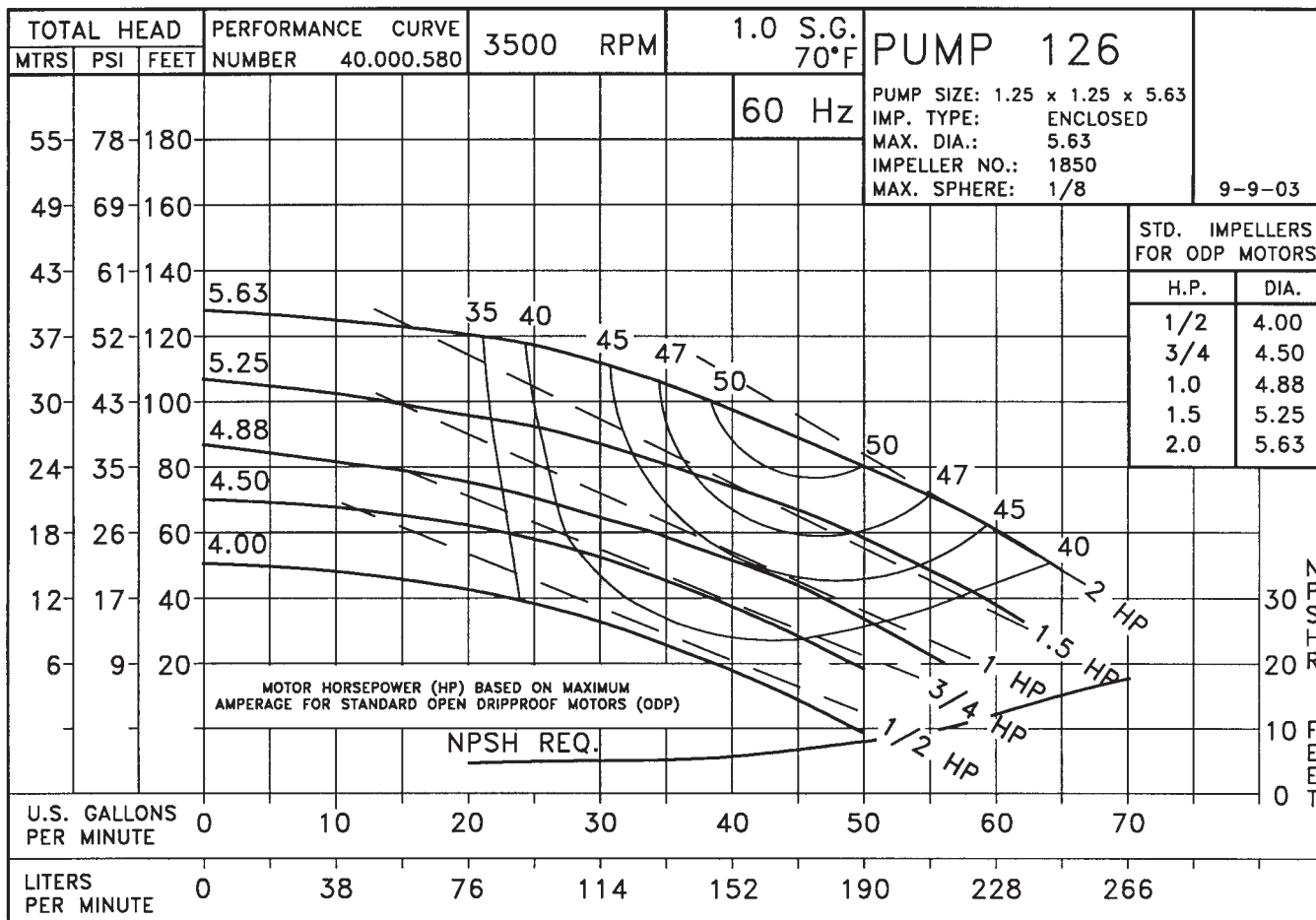
## MOTOR DIMENSIONS NEMA J56 FRAME 3500 RPM

HP	FRAME	ODP						TEFC					
		3PH			1PH			3PH			1PH		
		L	O	AB	L	O	AB	L	O	AB	L	O	AB
.33	J56	7.87	6.50	3.25	9.33	8.75	3.25	9.43	7.04	5.31	12.00	8.10	5.31
.50	J56	8.37	6.50	3.25	10.52	8.75	3.25	9.43	7.04	5.31	12.00	8.10	5.31
.75	J56	8.37	6.50	3.25	10.83	8.75	3.25	9.43	7.04	5.31	12.00	8.10	5.31
1.0	J56	8.37	6.50	3.25	11.02	8.75	3.25	9.43	7.04	5.31	13.18	8.10	5.31
1.5	J56	8.87	6.50	3.25	11.33	8.75	3.25	9.43	7.04	5.31	13.18	8.10	5.31
2.0	J56	8.87	6.50	3.25	10.69	8.75	3.25	10.61	7.04	5.31	14.36	8.10	5.31
3.0	J56	9.37	6.50	3.25	11.57	8.75	3.25	11.30	7.04	5.31	14.74	8.10	5.31



### ALL DIMENSIONS IN INCHES.

DRAWING REPRESENTS APPROXIMATE PUMP DIMENSIONS. AUTOCAD DRAWING TO SCALE AVAILABLE FROM FACTORY.

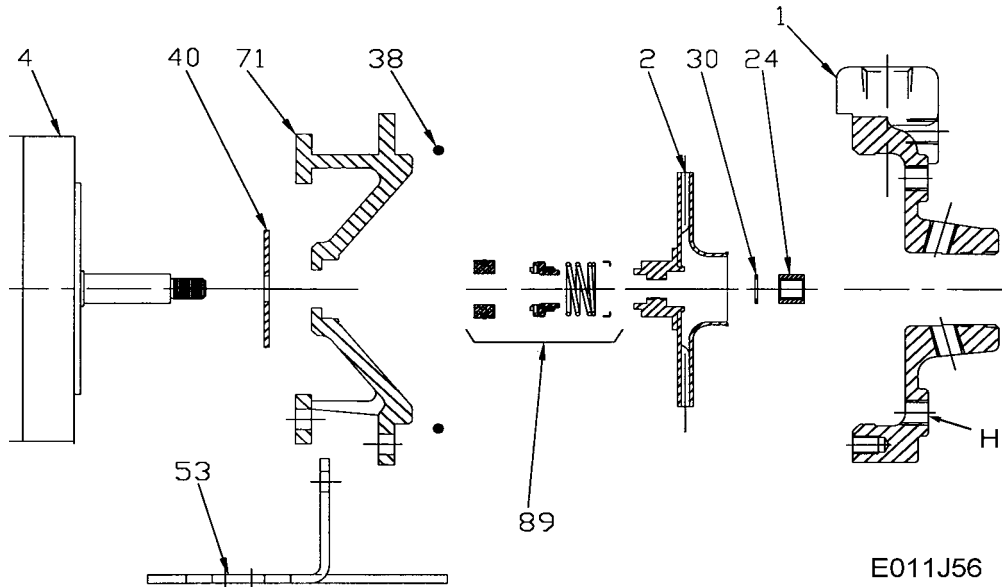


D1454 D126J56  
126071DP 1263500

**126**  
J56

126J3500  
81.001.458 J3

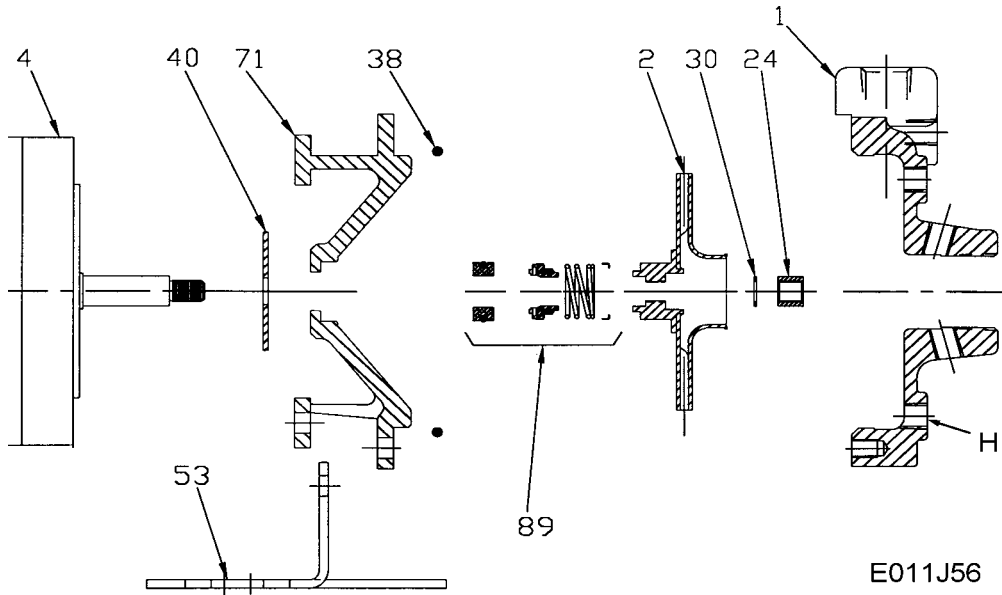
**Pump 126 • Iron • J56 Frame • 3500 RPM**



KEY NO.	PART NAME	PUMP 126	
1	CASE, IRON, 1.25 x 1.25 NPT	137.000.664X	
2	IMPELLER, STAINLESS, SEMI-OPEN, 7/16" THREADED:		
	4.0 DIA	131.000.763J	
	4.5 DIA	131.000.763E	
	5.0 DIA	131.000.763C	
	5.5 DIA	131.000.763H	
	5.63 DIA	131.000.763A	
4	MOTOR:		
	J56, ROUND BODY J56, 3.5" RIGID BASE	See Chart See Chart	
24*+	NUT, STAINLESS	105.000.465	
30*+	D WASHER, STAINLESS	104.000.168	
40*	FLINGER, NEOPRENE	104.000.171	
53	BASE, STEEL	119.000.231A	
71	ADAPTER, IRON	132.000.337	
73*	GASKET, CASE, BUNA	116.000.146	
89*	5/8" SEALS:		
	NO RETAINER: (not shown)		
	TYPE 6, BN-CARB/CM	101.000.110	
	WITH RETAINER:		
	TYPE 21, VN-CARB/CM	101.000.103	
	TYPE 21, VN-CARB/SIL	101.000.120	
	TYPE 21, VN-SIL/SIL	101.000.239	
	TYPE 21, EPDM-CARB/SIL	101.000.173	
TYPE 21, EPDM-CARB/CM	101.000.327		
	TYPE 21, EPDM-SIL/SIL	101.000.236	
--	REPAIR KITS:	3 PHASE:	† 1 PHASE:
	BN-CARB/CM SEAL	118.000.340	118.000.340.1
	VN-CARB/CM SEAL	118.000.340A	118.000.340A.1
	VN-CARB/SIL SEAL	118.000.340B	118.000.340B.1
	VN-SIL/SIL SEAL	118.000.340J	118.000.340J.1
	EPDM-CARB/SIL SEAL	118.000.340C	118.000.340C.1
	EPDM-CARB/CM SEAL	118.000.340R	118.000.340R.1
	EPDM-SIL/SIL SEAL	118.000.340D	118.000.340D.1

\* DENOTES COMPONENTS INCLUDED IN REPAIR KIT.  
 + NOT REQUIRED ON 1/3 TO 1-1/2 HP 1 PHASE MOTORS.  
 † USE 3 PHASE KIT ON 2-3 HP 1 PHASE MOTORS.

**Pump 126 • Iron • J56 Frame • 3500 RPM**



E011J56

CONSTRUCTION OPTIONS			
KEY	PART NAME	STANDARD FITTED	ALL IRON
1	Case	Iron	Iron
2	Impeller	Stainless	Stainless
24	Impeller Locknut	Stainless	Stainless
30	D-Washer	Stainless	Stainless
40	Flinger	Neoprene	Neoprene
53	Base	Steel	Steel
71	Adapter	Iron	Iron
73	Gasket, Case	Buna	Buna
89	Mechanical Seal, Type 6 BN-CM	Standard	Standard
H	Plug, Drain	Brass	Plated Steel